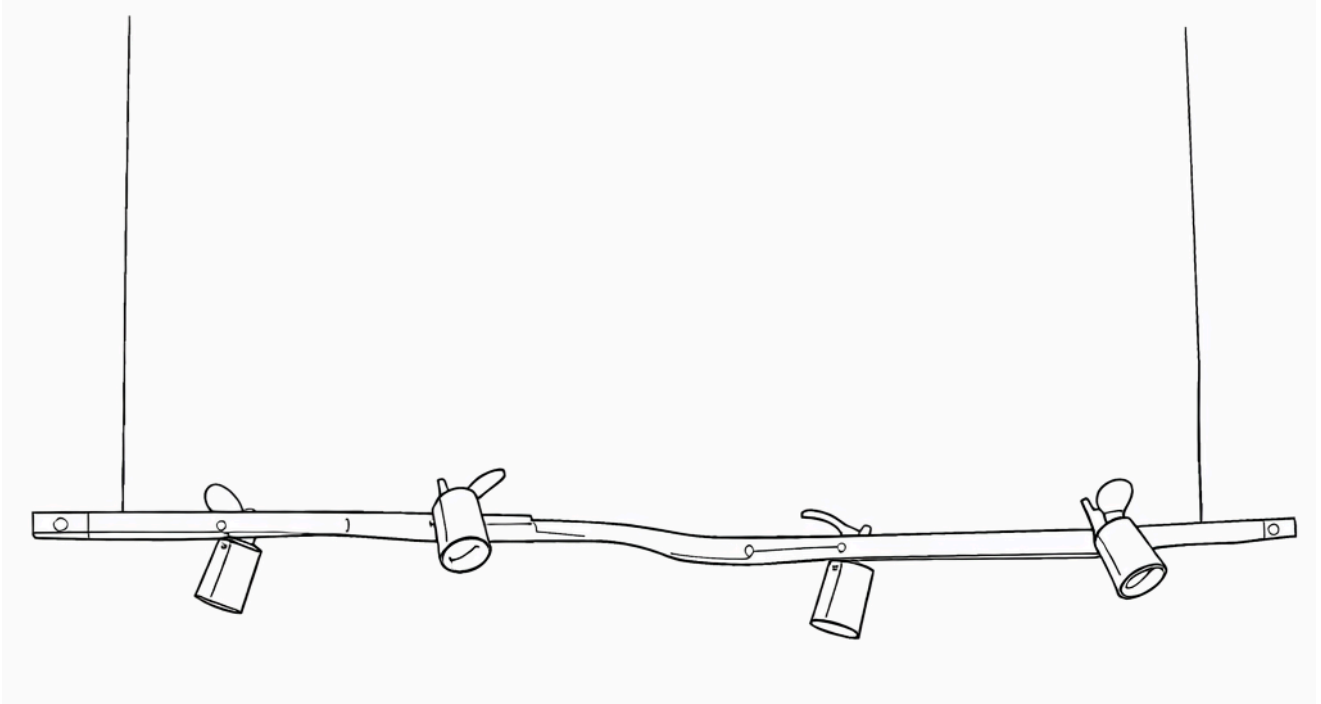


JUDITH WIERSEMA



THE BOW

A linear composition of light

DESCRIPTION

A continuous line, suspended in space.

The Bow defines the space through its length and rhythm. A sequence of spotlights is positioned along the line, creating a controlled distribution of light while maintaining a clear and architectural presence.

Its subtle curvature introduces tension within the linear form, preventing rigidity and allowing the piece to move naturally within its surroundings.

Designed to hover above a table or workspace, The Bow structures the space without dominating it. It brings clarity, balance and direction through light. Each piece is crafted by hand, resulting in subtle variations that are inherent to the process.

JUDITH WIERSEMA

DESIGNER

Judith Wiersema

TECHNICAL DETAILS

Voltage: 230 V

Lamp holder: GU10

Light source: 3.5W – 2200–2800K

Suspension cable length: 300 cm

Power cord length: 300 cm

DIMENSIONS

Length: 200 cm

With: 17 cm

FINISH OPTIONS

Polished bronze

Patinated bronze

Aluminium

CEILING ROSE OPTIONS

Polished bronze

Patinated bronze

Aluminium

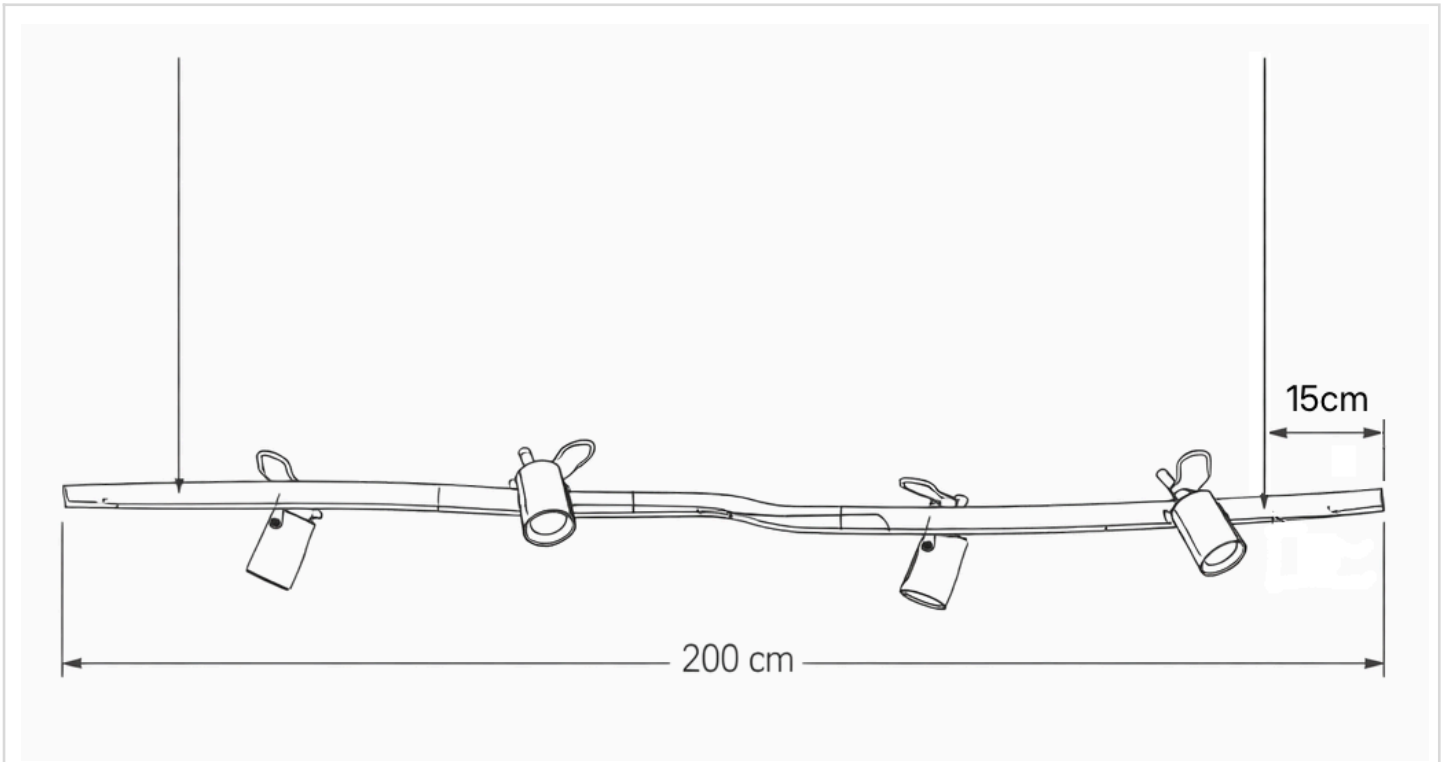
CORD OPTIONS

Black

Transparent

Silver

JUDITH WIERSEMA



Ceiling roses

